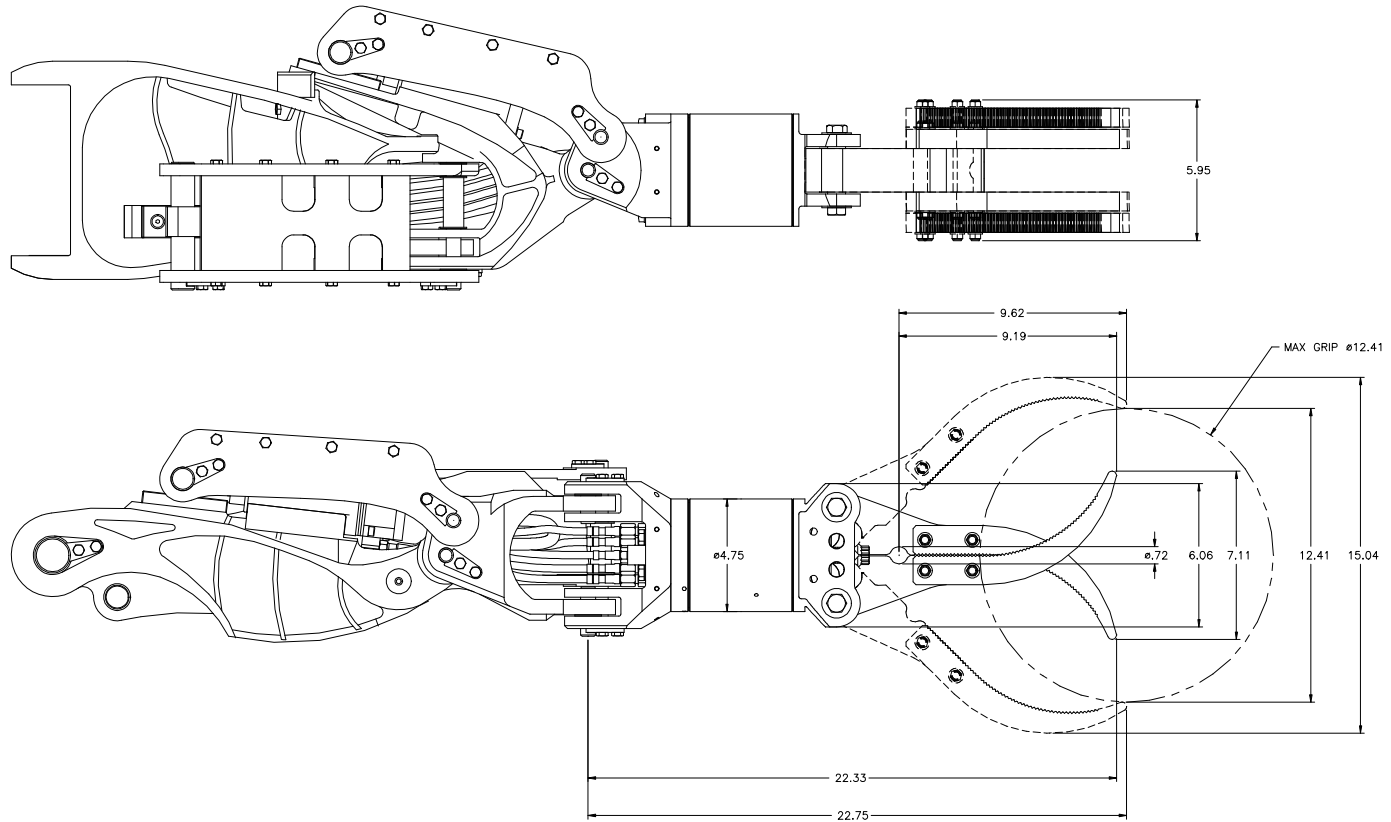


REV	ZONE	DESCRIPTION	DATE	BY	APPR
A	-	RELEASED FOR PRODUCTION	1/16/08	RDJ	SLW
B	-	REVISED JAW DIMENSIONS; ADDED MAX GRIP DIAMETER TO INTERMESHING JAW	2/8/08	RDJ	SLW
C	-	UPDATED CONAN PITCH AND YAW LINKS, ADDED SHT 3 WITH ORON 4R ARM	5/30/08	NLH	SLW
D	-	UPDATED DIMENSIONS ON SHEET 4, 6, AND 8.	11/17/08	NLH	JOS

CONAN JAWS



11.5" 4 FINGER
INTERMESHING JAW
(101-4104 JAW KIT)

PROPRIETARY
THIS DOCUMENT CONTAINS INFORMATION PROPRIETARY TO SCHILLING ROBOTICS. ANY REPRODUCTION, DISSEMINATION, OR USE OF THIS DOCUMENT IS EXPRESSLY PROHIBITED EXCEPT AS OTHERWISE INDICATED BY SCHILLING ROBOTICS. ALL RIGHTS RESERVED. © 2008

RELEASED FOR
PRODUCTION

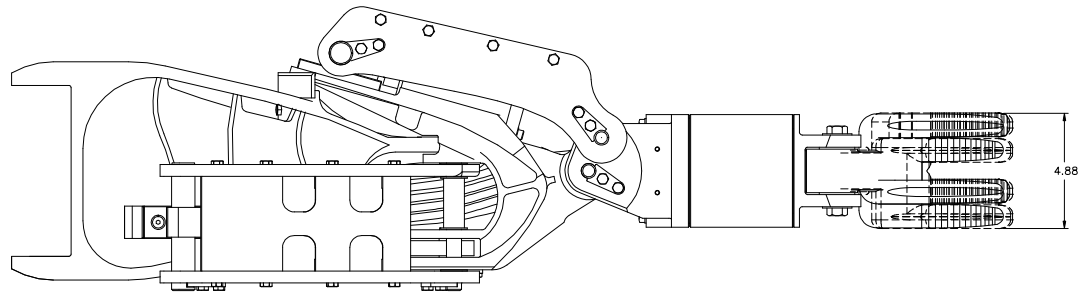
GENERAL NOTES		NEXT ASSEMBLY		SCHILLING ROBOTICS	
INTERPRET DIMENSIONS AND TOLERANCES TO THIS DRAWING TO BE IN ACCORDANCE WITH THE FIRST PRACTICE OF FIGURE 20, UNLESS OTHERWISE SPECIFIED.		000-0000		PRODUCT MANIPULATOR	
TOLERANCES UNLESS OTHERWISE SPECIFIED:		FORM: RDJ DATE: 1/16/08		TITLE MANIPULATOR JAW OPTIONS	
DIMENSIONS UNLESS OTHERWISE SPECIFIED:		DESIGNED: SLW DATE: 12/28/07		SCALE: 1=2.5	
DIMENSIONS UNLESS OTHERWISE SPECIFIED:		DRAWN: SLW		DRAWING NUMBER: 050-0881	
DIMENSIONS UNLESS OTHERWISE SPECIFIED:		CHECKED: SLW		SIZE: D	
DIMENSIONS UNLESS OTHERWISE SPECIFIED:		APPROVED: SLW		SHEET: 1 of 13	
DIMENSIONS UNLESS OTHERWISE SPECIFIED:		DATE: 11/17/08		REV: D	

8 7 6 5 4 3 2 1

D

D

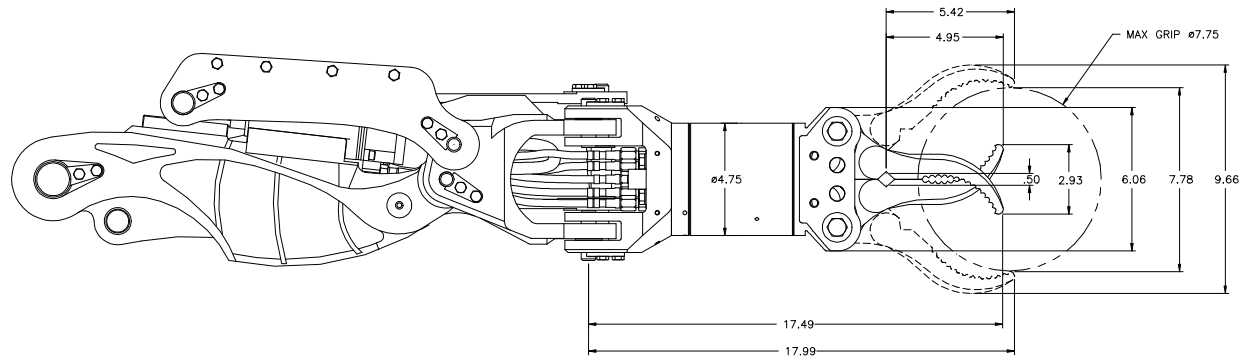
CONAN JAWS



4.88

C

C



MAX GRIP ø7.75

ø4.75

5.42

4.95

17.49

17.99

5.0

2.93

6.06

7.78

9.66

B

B

7.8" 4 FINGER
INTERMESHING JAW
(101-3684 SLAVE ARM)

PROPRIETARY

THIS DOCUMENT CONTAINS INFORMATION PROPRIETARY TO SCHILLING ROBOTICS. ANY REPRODUCTION, DISSEMINATION, OR USE OF THIS DOCUMENT IS EXPRESSLY PROHIBITED EXCEPT AS OTHERWISE INDICATED HEREIN.

SCHILLING
ROBOTICS

PROJECT MANIPULATOR

TITLE MANIPULATOR JAW
OPTIONS

RELEASED FOR	SCALE	DRAWING NUMBER	SIZE	SHEET	REV
PRODUCTION	1=2.5	050-0881	D	2 of 13	D

8 7 6 5 4 3 2 1

A

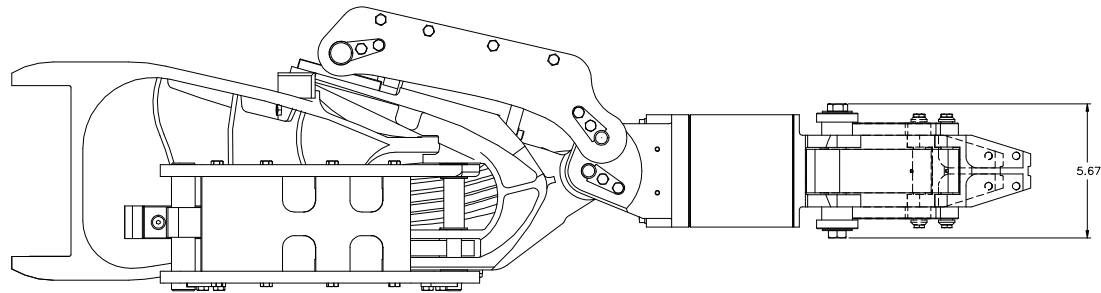
A

8 7 6 5 4 3 2 1

D

D

CONAN JAWS

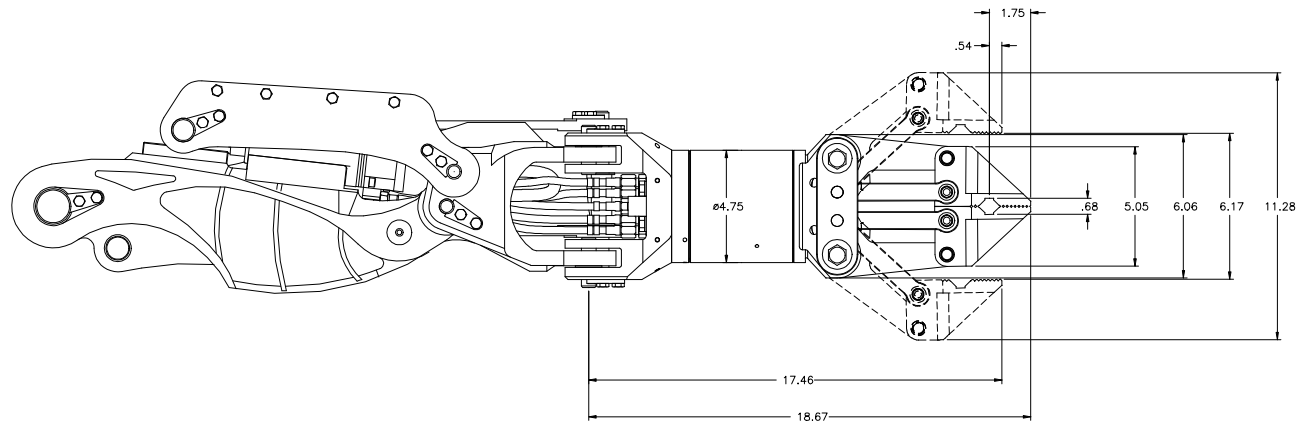


C

C

B

B



A

A

6" PARALLEL
ACTING JAW
(101-3683 SLAVE ARM)

PROPRIETARY
THIS DOCUMENT CONTAINS INFORMATION PROPRIETARY TO
SCHILLING ROBOTICS. ANY REPRODUCTION, DISSEMINATION, OR
USE OF THIS DOCUMENT IS EXPRESSLY PROHIBITED EXCEPT
AS OTHERWISE INDICATED BY CHANGING PAGES TO A MINIMUM.

SCHILLING ROBOTICS				
PROJECT MANIPULATOR				
TITLE MANIPULATOR JAW OPTIONS				
RELEASED FOR	SCALE	DRAWING NUMBER	SIZ	SHEET
PRODUCTION	1=2.5	050-0881	D	3 of 13
				REV D

8 7 6 5 4 3 2 1