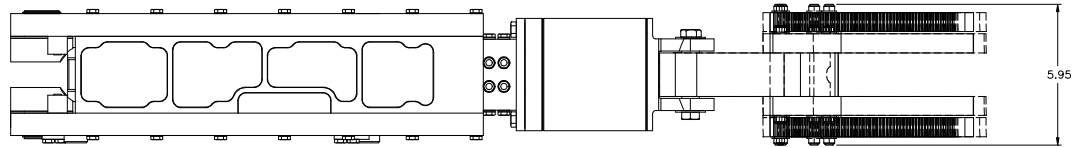


8 7 6 5 4 3 2 1

D

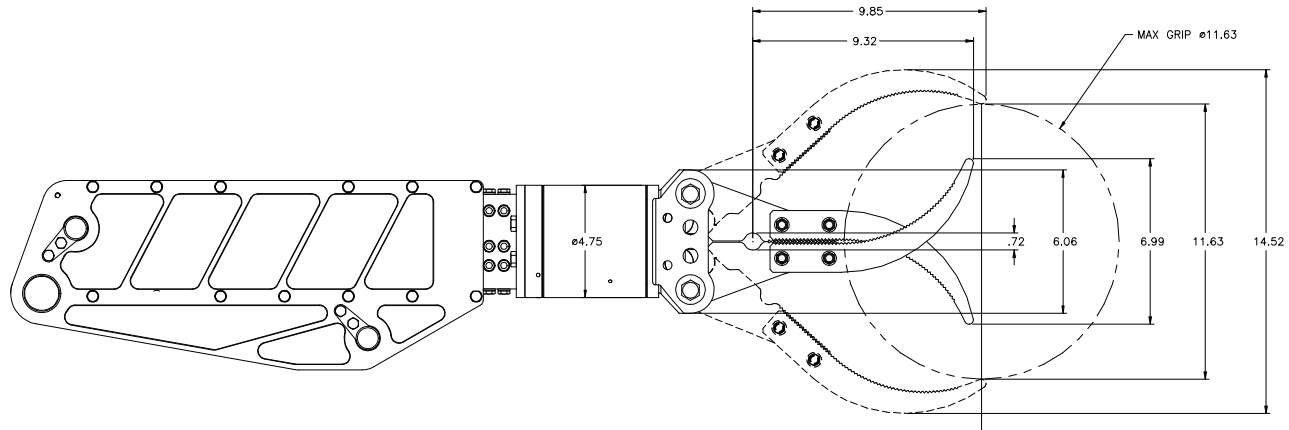
D

# ORION JAWS



C

C



B

B

RIGMASTER 4 FINGER INTERMESHING JAW (101-3856 JAW KIT)

A

A

PROPRIETARY  
THIS DOCUMENT CONTAINS INFORMATION PROPRIETARY TO SCHILLING ROBOTICS. ANY REPRODUCTION, DISSEMINATION, OR USE OF THIS DOCUMENT IS EXPRESSLY PROHIBITED EXCEPT AS OTHERWISE INDICATED HEREIN.

**SCHILLING ROBOTICS**

PROJECT: MANIPULATOR  
TITLE: MANIPULATOR JAW OPTIONS

RELEASED FOR	SCALE:	DRAWING NUMBER:	SIZE:	SHEET:	REV:
PRODUCTION	1=2.5	050-0881	D	10 of 13	D

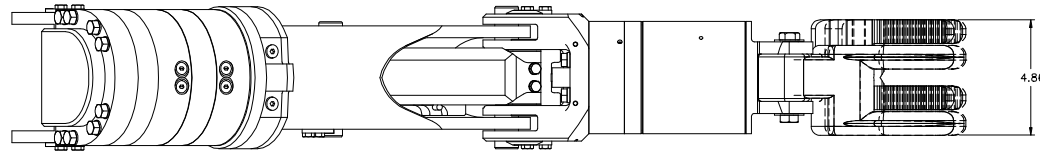
8 7 6 5 4 3 2 1

8 7 6 5 4 3 2 1

D

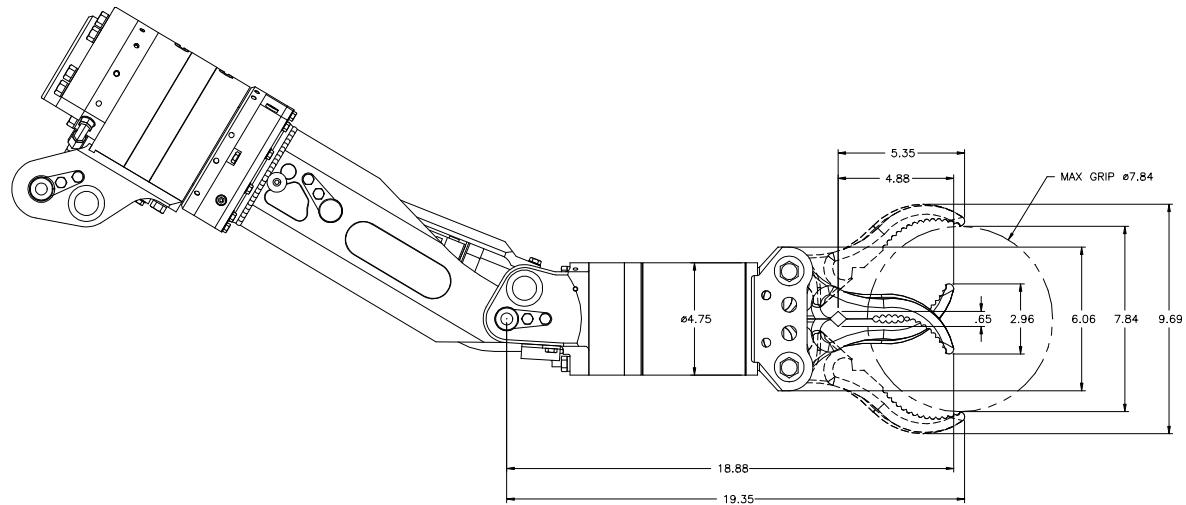
D

# ORION JAWS



C

C



B

B

## 4 FINGER INTERMESHING JAW (101-4102 JAW KIT)

A

A

**PROPRIETARY**  
THIS DOCUMENT CONTAINS INFORMATION PROPRIETARY TO  
SCHILLING ROBOTICS. ANY REPRODUCTION, DISSEMINATION, OR  
USE OF THE DOCUMENT IS EXPRESSLY PROHIBITED EXCEPT  
AS OTHERWISE DIRECTED BY SCHILLING ROBOTICS. TO A MINOR.

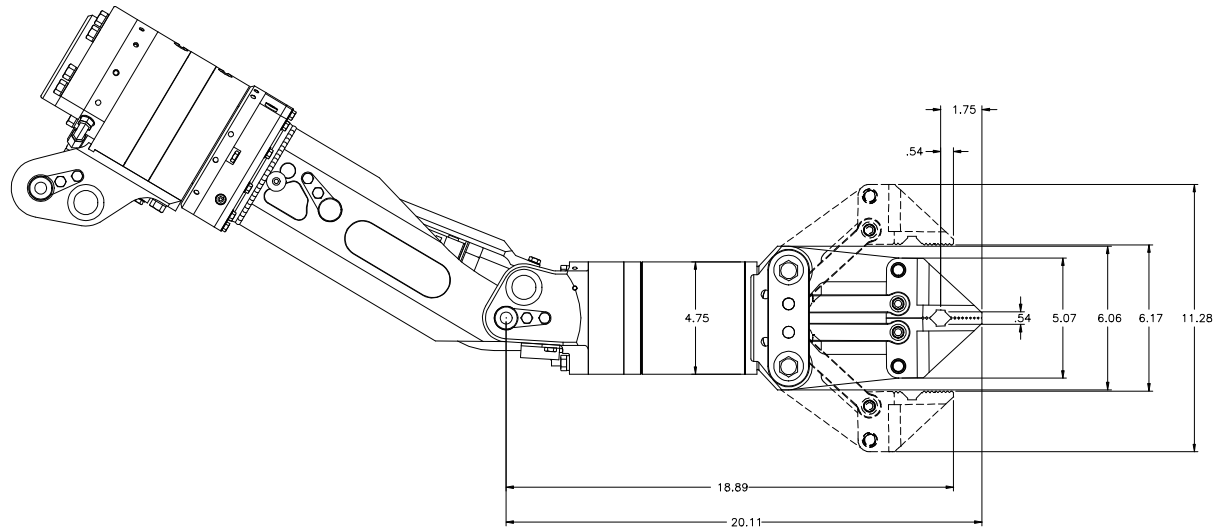
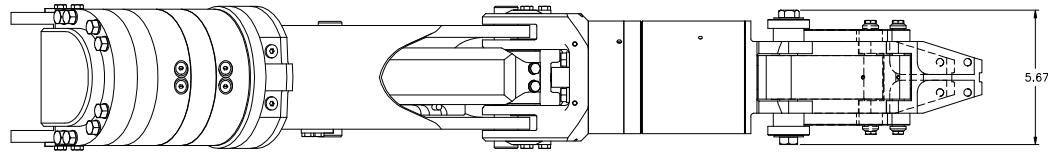
**SCHILLING  
ROBOTICS**

PROJECT: MANIPULATOR  
TITLE: MANIPULATOR JAW  
OPTIONS

RELEASED FOR	SCALE:	DRAWING NUMBER:	SIZ:	SHEET:	REV:
PRODUCTION	1=2.5	050-0881	D	11 of 13	D

8 7 6 5 4 3 2 1

# ORION JAWS



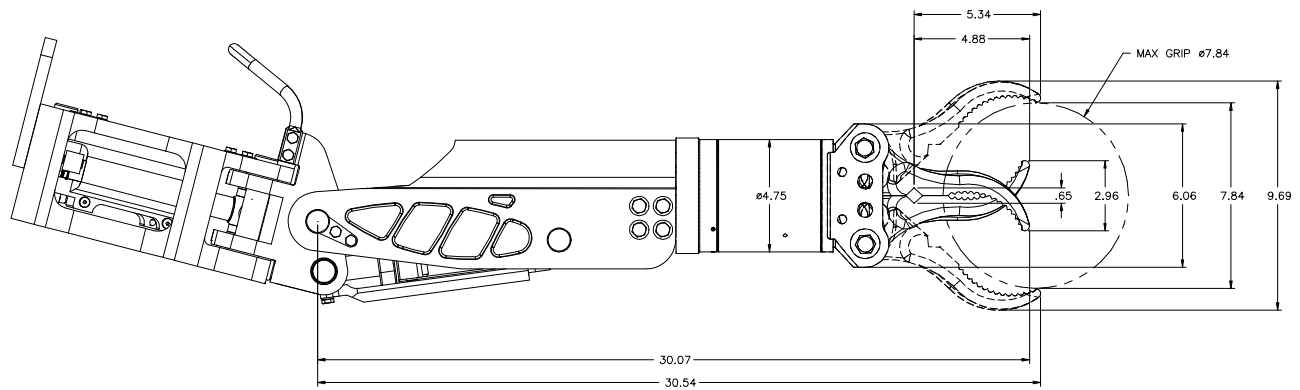
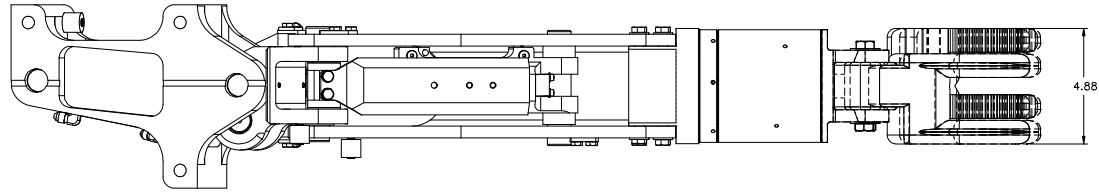
6" PARALLEL  
ACTING JAW  
(101-4103 JAW KIT)

PROPRIETARY  
THIS DOCUMENT CONTAINS INFORMATION PROPRIETARY TO  
SCHILLING ROBOTICS. ANY REPRODUCTION, DISSEMINATION, OR  
USE OF THE DOCUMENT IS EXPRESSLY PROHIBITED EXCEPT  
AS OTHERWISE INDICATED BY SCHILLING ROBOTICS. TO A MINIMUM.

<b>SCHILLING ROBOTICS</b>				
PROJECT MANIPULATOR				
TITLE MANIPULATOR JAW OPTIONS				
RELEASED FOR	SCALE	DRAWING NUMBER	SIZ	SHEET
PRODUCTION	1=2.5	050-0881	D	13
			REV	
			D	

8 7 6 5 4 3 2 1

# ORION JAWS



4 FINGER  
INTERMESHING JAW  
(101-4102 JAW KIT)

PROPRIETARY  
THIS DOCUMENT CONTAINS INFORMATION PROPRIETARY TO  
SCHILLING ROBOTICS. ANY REPRODUCTION, DISCLOSURE, OR  
USE OF THE DOCUMENT IS EXPRESSLY PROHIBITED EXCEPT  
AS OTHERWISE SPECIFIED BY SCHILLING ROBOTICS. T.S. H. 01/10/10

**SCHILLING  
ROBOTICS**

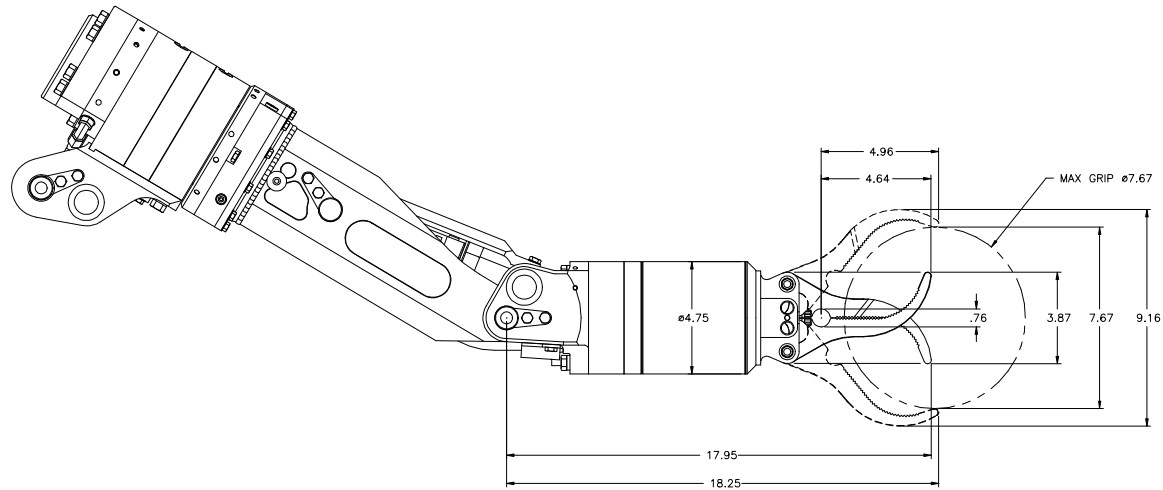
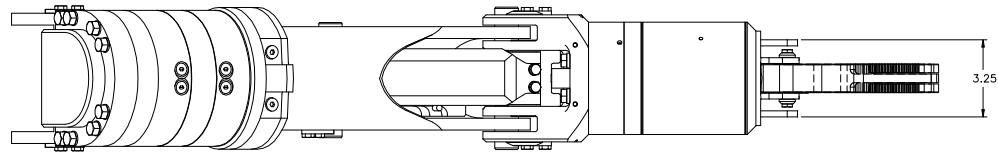
PROJECT MANIPULATOR  
TITLE MANIPULATOR JAW  
OPTIONS

RELEASED FOR	SCALE:	DRAWING NUMBER:	SIZE:	SHEET:	REV:
PRODUCTION	1=2.5	050-0881	D	13 of 13	D

8 7 6 5 4 3 2 1

8 7 6 5 4 3 2 1

# ORION JAWS



3 FINGER  
INTERMESHING JAW  
(101-4105 JAW KIT)

PROPRIETARY  
THIS DOCUMENT CONTAINS INFORMATION PROPRIETARY TO  
SCHILLING ROBOTICS. ANY REPRODUCTION, DISCLOSURE, OR  
USE OF THE DOCUMENT IS EXPRESSLY PROHIBITED EXCEPT  
AS OTHERWISE INDICATED BY CHANGING CIRCLES TO A MINIMUM.

**SCHILLING  
ROBOTICS**

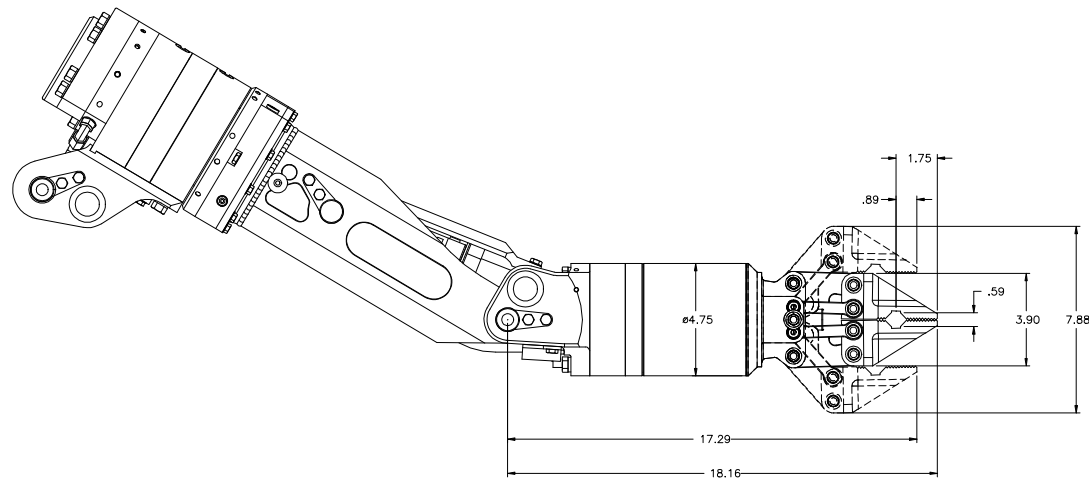
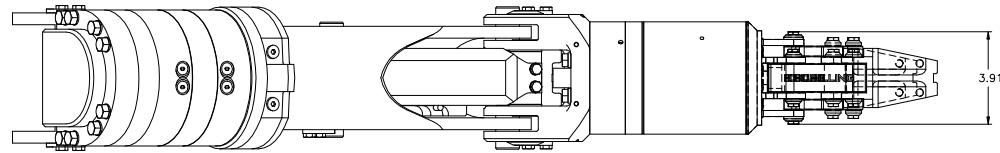
PROJECT MANIPULATOR  
TITLE MANIPULATOR JAW  
OPTIONS

RELEASED FOR	SCALE	DRAWING NUMBER	SIZ	SHEET	REV
PRODUCTION	1=2.5	050-0881	D	7 of 13	D

8 7 6 5 4 3 2 1

8 7 6 5 4 3 2 1

# ORION JAWS



4" PARALLEL  
ACTING JAW  
(101-6610, 101-6930, AND 101-3833)

PROPRIETARY  
THIS DOCUMENT CONTAINS INFORMATION PROPRIETARY TO  
SCHILLING ROBOTICS. ANY REPRODUCTION, DISSEMINATION, OR  
USE OF THE DOCUMENT IS EXPRESSLY PROHIBITED EXCEPT  
AS OTHERWISE INDICATED BY CHANGING PARTS TO A PARTIAL.

**SCHILLING  
ROBOTICS**

PROJECT MANIPULATOR  
TITLE MANIPULATOR JAW  
OPTIONS

RELEASED FOR	SCALE	DRAWING NUMBER	SIZE	SHEET	REV
PRODUCTION	1=2.5	050-0881	D	8 of 13	D

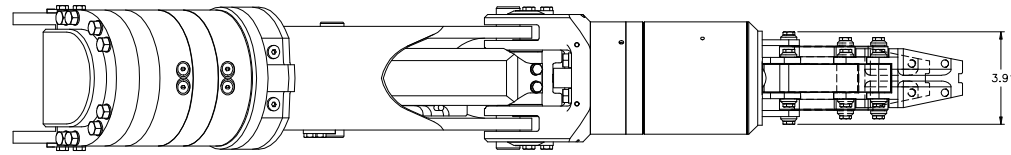
8 7 6 5 4 3 2 1

8 7 6 5 4 3 2 1

D

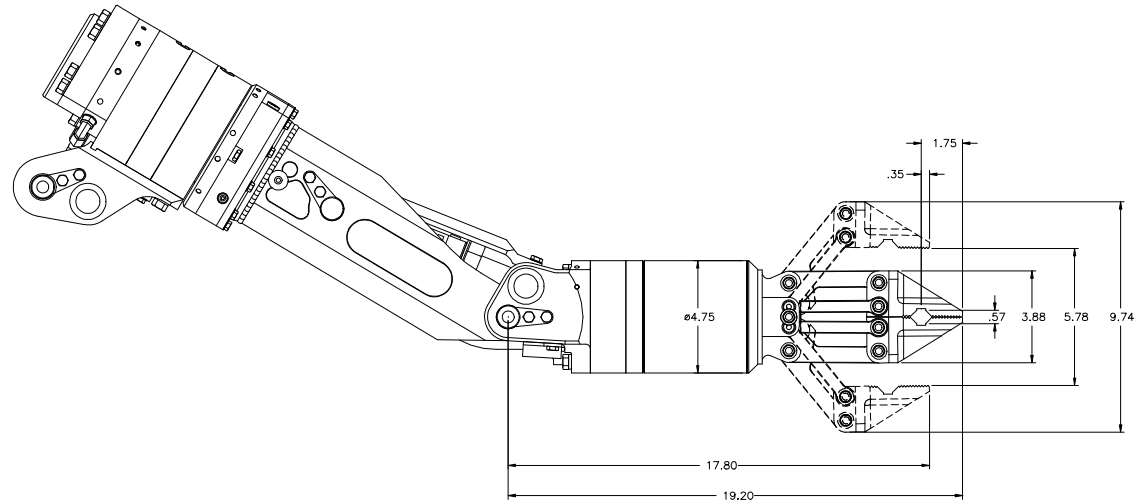
D

# ORION JAWS



C

C



B

B

6" PARALLEL ACTING JAW (101-4107 JAW KIT)

A

A

**PROPRIETARY**  
 THIS DOCUMENT CONTAINS INFORMATION PROPRIETARY TO SCHILLING ROBOTICS. ANY REPRODUCTION, DISSEMINATION, OR USE OF THIS DOCUMENT IS EXPRESSLY PROHIBITED EXCEPT AS OTHERWISE INDICATED HEREIN.



PROJECT: MANIPULATOR  
 TITLE: MANIPULATOR JAW OPTIONS

RELEASED FOR	SCALE:	DRAWING NUMBER:	SIZE:	SHEET:	REV:
PRODUCTION	1=2.5	050-0881	D	9 of 13	D

8 7 6 5 4 3 2 1