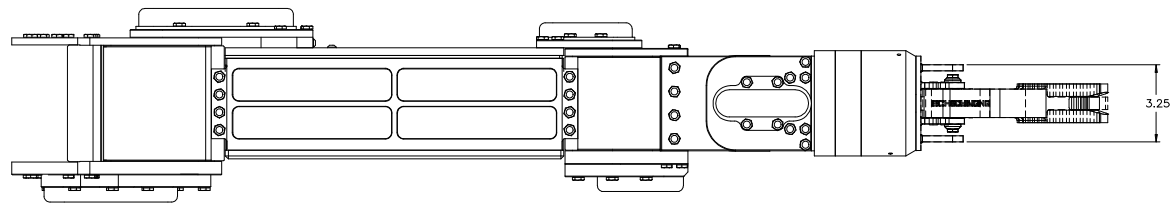


8 7 6 5 4 3 2 1

D

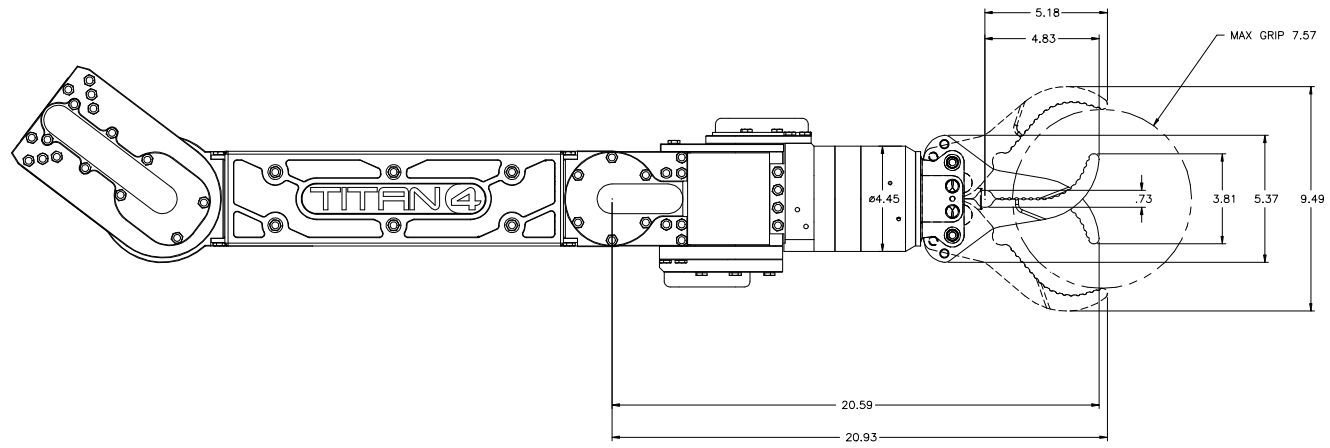
D

# TITAN JAWS



C

C



B

B

A

A

3 FINGER  
INTERMESHING JAW  
(101-6659 JAW KIT)

PROPRIETARY  
THIS DOCUMENT CONTAINS INFORMATION PROPRIETARY TO  
SCHILLING ROBOTICS. ANY REPRODUCTION, DISSEMINATION, OR  
USE OF THE DOCUMENT IS EXPRESSLY PROHIBITED EXCEPT  
AS OTHERWISE EXPRESSLY AND EXPLICITLY PERMITTED. T.R. & M.F.

**SCHILLING**  
**ROBOTICS**

PROJECT: MANIPULATOR  
TITLE: MANIPULATOR JAW  
OPTIONS

RELEASED FOR	SCALE:	DRAWING NUMBER:	SIZE:	SHEET	REV
PRODUCTION	1=2.5	050-0881	D	4 of 13	D

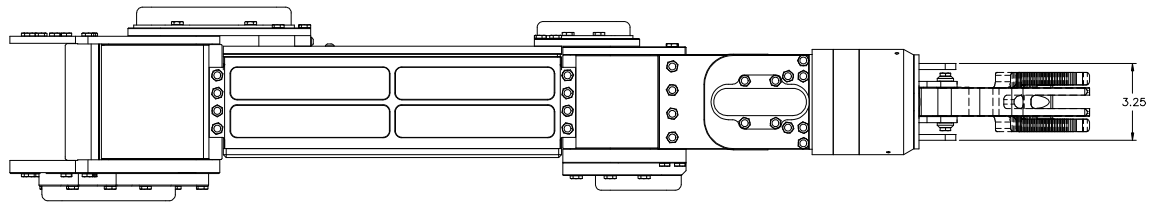
8 7 6 5 4 3 2 1

8 7 6 5 4 3 2 1

D

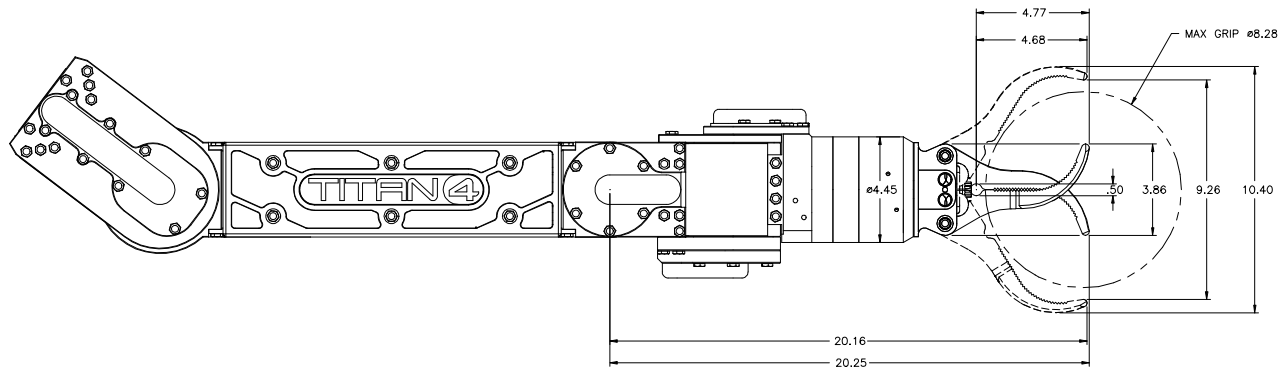
D

# TITAN JAWS



C

C



B

B

4 FINGER  
INTERMESHING JAW  
(101-4813 JAW KIT)

PROPRIETARY  
THIS DOCUMENT CONTAINS INFORMATION PROPRIETARY TO  
SCHILLING ROBOTICS. ANY REPRODUCTION, DISSEMINATION, OR  
USE OF THE DOCUMENT IS EXPRESSLY PROHIBITED EXCEPT  
AS OTHERWISE INDICATED BY SCHILLING ROBOTICS. © 2014 SCHILLING

**SCHILLING**  
ROBOTICS

PROJECT MANIPULATOR  
TITLE MANIPULATOR JAW  
OPTIONS

RELEASED FOR	SCALE	DRAWING NUMBER	SIZ	SHEET	REV
PRODUCTION	1=2.5	050-0881	D	5 of 13	D

8 7 6 5 4 3 2 1

A

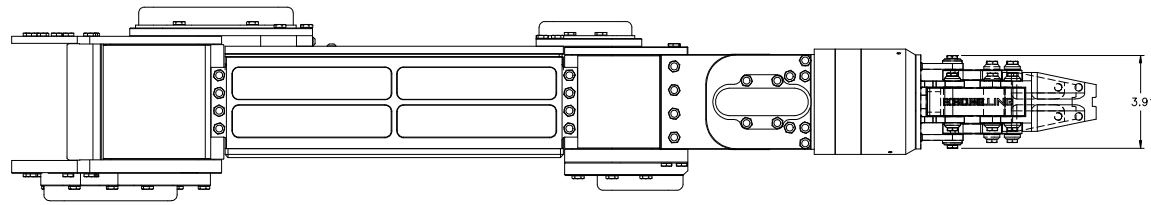
A

8 7 6 5 4 3 2 1

D

D

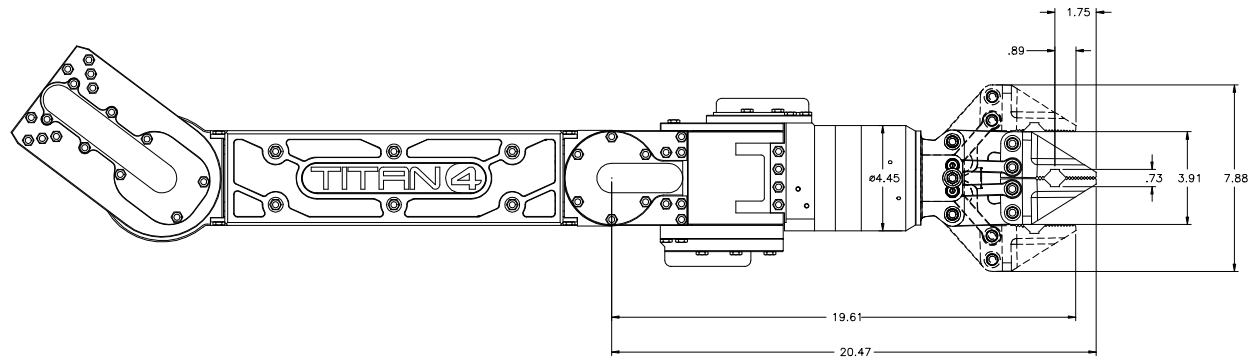
# TITAN JAWS



3.91

C

C



1.75

.89

04.45

.73

3.91

7.88

19.61

20.47

B

B

4" PARALLEL  
ACTING JAW  
(101-6610 JAW KIT)

A

A

PROPRIETARY  
THIS DOCUMENT CONTAINS INFORMATION PROPRIETARY TO  
SCHILLING ROBOTICS. ANY REPRODUCTION, COPIING, OR  
USE OF THE DOCUMENT IS EXPRESSLY PROHIBITED EXCEPT  
AS OTHERWISE DIRECTED BY SCHILLING ROBOTICS. © 2011

<b>SCHILLING ROBOTICS</b>				
PROJECT MANIPULATOR				
TITLE MANIPULATOR JAW OPTIONS				
RELEASED FOR	SCALE	DRAWING NUMBER	SIZ	SHEET
PRODUCTION	1=2.5	050-0881	D	6 of 13
				REV
				D

8 7 6 5 4 3 2 1