

Available for TITAN 4, TITAN 3, ORION 7P/R, and CONAN 7P/R Manipulator Systems

REDESIGN HIGHLIGHTS

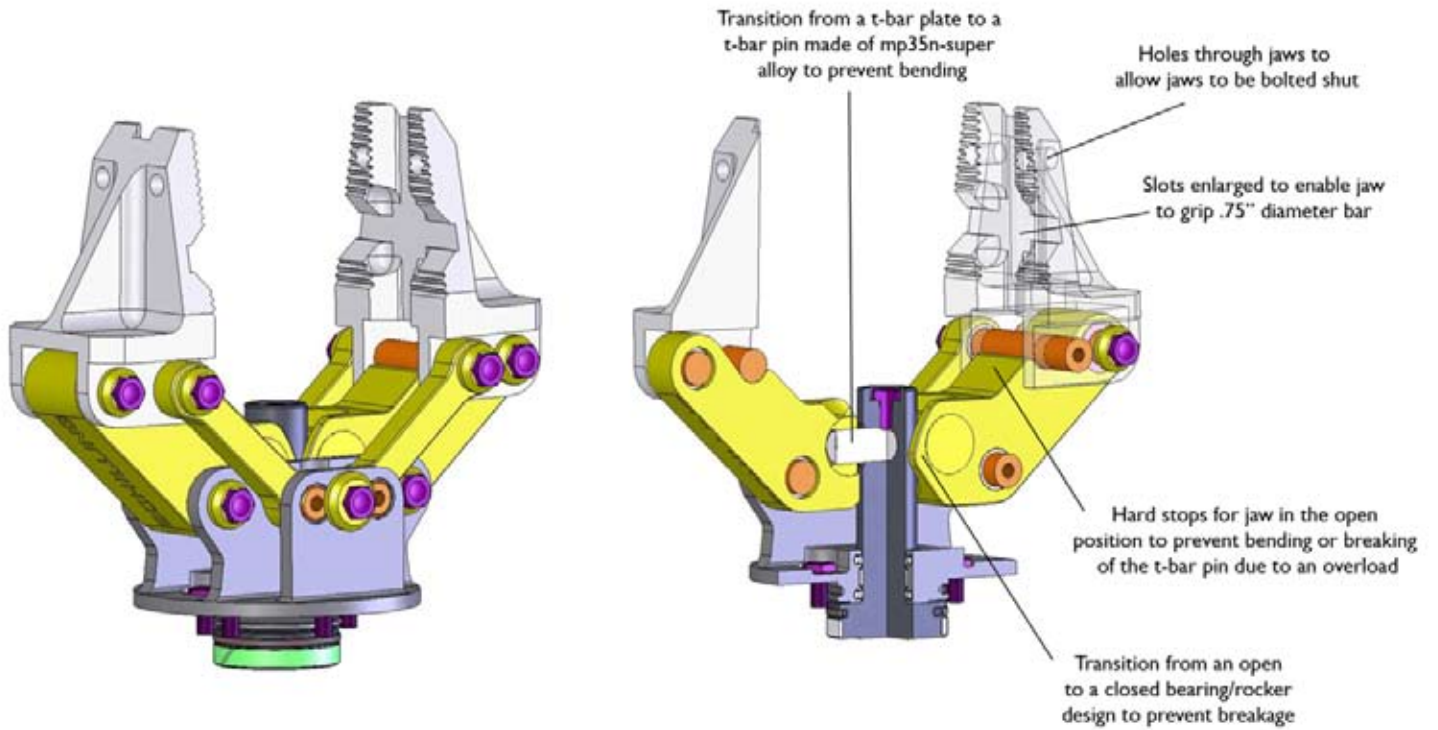
- 4" Parallel Gripper Slots Enlarged to Enable Jaw to grip .75" Diameter T-bar
- Holes Through 4" Parallel Gripper Jaws to Allow Jaws to be Bolted Shut
- 3-Finger Intermeshing Grippers Host More Robust, Larger Fingers, and a Stronger Material
- Transition from a T-bar Plate to a T-bar Pin Made of MP35N-Super Alloy to Prevent Bending
- Hard Stops for Jaw in the Open Position to Prevent Bending or Breaking of the T-bar Pin Due to an Overload
- Transition from an Open to a Closed Bearing/Rocker Design to Prevent Breakage



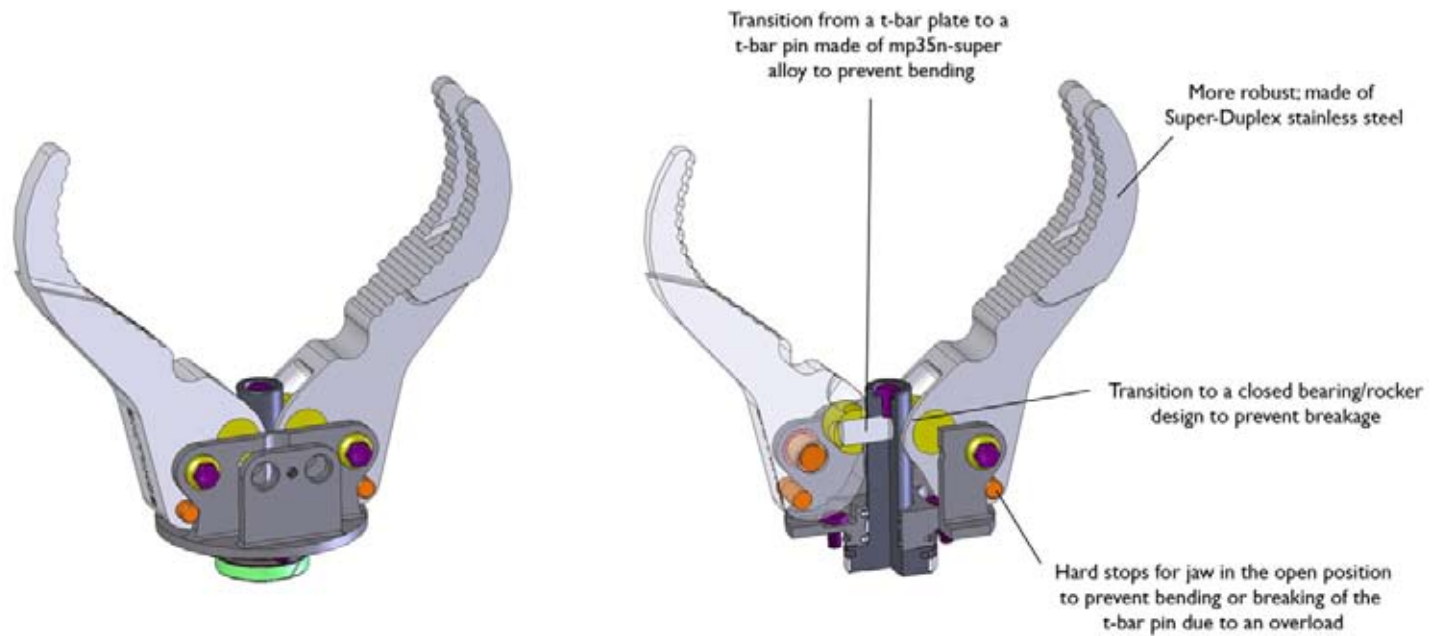
4-INCH PARALLEL GRIPPERS



3-FINGER INTERMESHING GRIPPERS



4" PARALLEL GRIPPER FEATURES



3-FINGER INTERMESHING GRIPPER FEATURES



The kits contain all parts required for the upgrade. The part lists below show part quantities.

*Note: Kits shown below are for TITAN 3 and TITAN 4 manipulator systems. The jaw upgrade kit for Orion 7PIR and Conan manipulator systems (parallel 101-6919, intermeshing 101-6931) contain an additional nose block adapter.

101-6734 PARALLEL KIT

101-6610 KIT, PARALLEL JAW, PIN DESIGN

Item	Number	Description	Qty
11	101-6611	LINK,ROCKER,WITH BEARINGS	2.00
12	101-3756	LINK,IDLE,W/BRGS	4.00
13	001-7196	JAW,PA,..75-1.00 CROSSBAR,T4	2.00
14	001-1840	PIN,..5X2.0,JAW,T2	4.00
15	001-1841	PIN,..5X3.0,JAW,T2	2.00
16	001-2062	PIN,..5X1.0,JAW,T2	4.00
17	001-9851	WASHER,PIN RETAINER,T4	2.00
25	001-9835	BEARING,JAW ACTUATOR,T4	2.00
30	002-0710	RING,RETING,EXTERNAL,SMALLEY #	4.00
74	001-1985	WSHR,THR JAW	8.00
77	002-0038P	NAS 6404PU1,NLK	14.00
78	001-2071	WSHR,T2 JAW	12.00

101-6930 KIT, NOSE BLK&PSTN, PIN DSGN, T4

Item	Number	Description	Qty
1	001-9839	NOSE BLOCK,WRIST ROTATE,T4	1.00
2	001-9836	PISTON,PIN DESIGN,T4	1.00
3	004-1080	SEAL,STEP,RSC100875-Z48NA,7/8"	2.00
4	001-9850	BEARING,ROD GLAND,T4,JAW	1.00
5	004-0646	SEAL,JAW PSTN,GAMMA	1.00
6	004-0046	O-RING,2-127 BUNA 70	1.00
7	003-0150	BRG,PSTN,LUYTEX	1.00
8	004-0588	O-RING,2-129 BUNA 90	1.00
9	002-0050P	NAS 6404PU2,NLK	6.00
10	001-9837	PIN,T-BAR,MP35N,T4	1.00
11	002-0038P	NAS 6404PU1,NLK	1.00

101-6735 INTERMESHING KIT

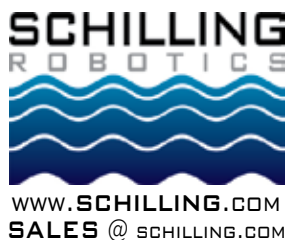
101-6659 KIT, JAW, 3 FINGER, PIN DESIGN

Item	Number	Description	Qty
1	101-6657	JAW,W/BRG&PIN,NARROW	1.00
2	101-6658	JAW,W/BRG&PIN,WIDE	1.00
3	001-1840	PIN,..5X2.0,JAW,T2	2.00
4	002-0038P	NAS 6404PU1,NLK	4.00
5	001-2071	WSHR,T2 JAW	4.00
6	001-1985	WSHR,THR JAW	4.00
7	001-9835	BEARING,JAW ACTUATOR,T4	2.00

101-6930 KIT, NOSE BLK&PSTN, PIN DSGN, T4

Item	Number	Description	Qty
1	001-9839	NOSE BLOCK,WRIST ROTATE,T4	1.00
2	001-9836	PISTON,PIN DESIGN,T4	1.00
3	004-1080	SEAL,STEP,RSC100875-Z48NA,7/8"	2.00
4	001-9850	BEARING,ROD GLAND,T4,JAW	1.00
5	004-0646	SEAL,JAW PSTN,GAMMA	1.00
6	004-0046	O-RING,2-127 BUNA 70	1.00
7	003-0150	BRG,PSTN,LUYTEX	1.00
8	004-0588	O-RING,2-129 BUNA 90	1.00
9	002-0050P	NAS 6404PU2,NLK	6.00
10	001-9837	PIN,T-BAR,MP35N,T4	1.00
11	002-0038P	NAS 6404PU1,NLK	1.00

SO DEEP, NO ONE COMES REMOTELY CLOSE



SCHILLING ROBOTICS, LLC
Headquarters
260 Cousteau Place, Suite 200
Davis, California
95618-5412 U.S.A.
Tel: +1 530 753 6718
Fax: +1 530 753 8092

SCHILLING ROBOTICS, LLC
Gulf of Mexico Regional Office
7102 W. Sam Houston Parkway N.
Suite 100
Houston, Texas
77040-3164 U.S.A.
Tel: +1 281 598 4100
Fax: +1 281 598 4130

SCHILLING ROBOTICS LTD
North Sea Regional Office
Unit N, Nord Centre
Aberdeen
AB11 5DN U.K.
Tel: +44 (0) 1224 560 900
Fax: +44 (0) 1224 560 901